

CERAMIC GRIDDLE

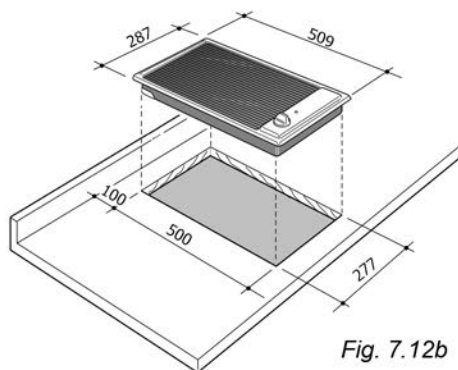


Fig. 7.12b

TECHNICAL INFORMATION FOR THE INSTALLER

Before installing the cooktop, remove the protective film.

These cooking hobs are designed to be embedded into kitchen fixtures from 30 to 40 mm thick.

In order to install the vitroceramic hob and the ceramic griddle into the kitchen fixture, a hole with the dimensions shown in fig. 7.12b has to be made, keeping in consideration the following:

- within the fixture, between the bottom side of the cooking hob and the upper surface of any other appliance or internal shelf there must be a clearance of at least 30 mm;

• **For ceramic griddle:**

- the ceramic griddle must be kept no less than 300 mm away from any side wall;
- the rear wall must be at least 50 mm from the cooking hobs and must withstand a temperature of 150°C.

- there must be a distance of at least 760 mm between the hob and any wall cupboard or extractor hood positioned immediately above (see fig. 7.13).
- the coatings of the walls of the unit or appliances near the cooktop must be heat resistant.

Do not install the appliance near inflammable materials (eg. curtains).

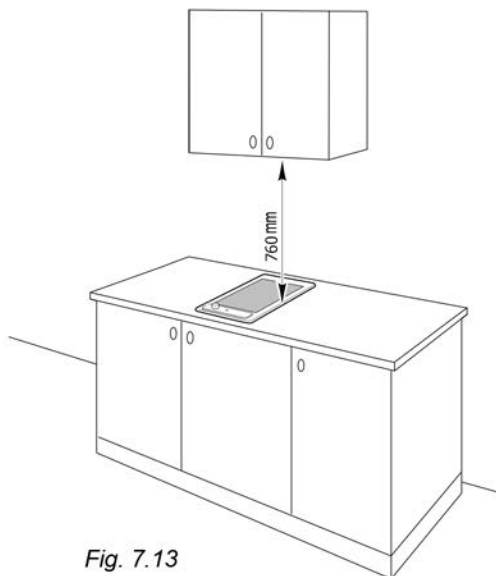


Fig. 7.13