



COLORI DISPONIBILI

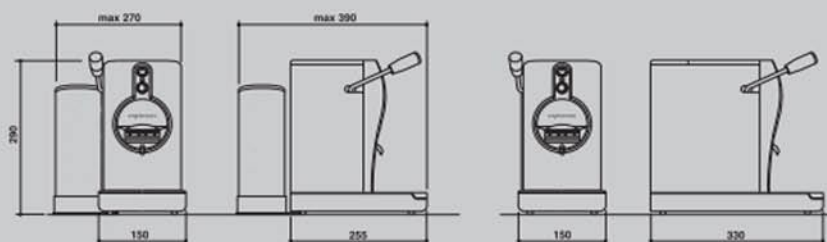
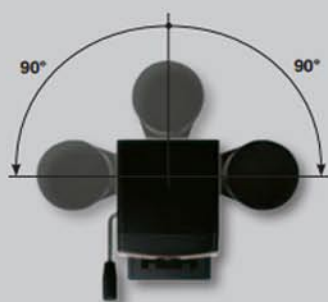


OPTIONAL



- **Aluminum** heat exchanger with excellent **thermal stability** for coffee extraction.
- Power absorption of only **450W** with working thermostat of **98 °C**.
- Inlet/outlet 3-way **solenoid valve**.
- **Vertical group closure** to give at the machine more steadiness at group closure.
- **Patented Compensator**, located in the lower part of the group which allows an effortless closure at **constant pressure over time**.
- **No water leaks** from the filter: that means no dirt deposits on bottom side (problem that persists in traditional systems).
- **No group adjustment**, the compensator at each use adapts itself to the gasket squashing that occurs everytime, with consequent savings on spare parts.
- **Uniform extraction of the coffee** due to the stabilization of the working pressure.
- Easy access to group for maintenance purpose through the top cover, which is fixed by means of only two screws.

• DIMENSIONI / SIZES



• CARATTERISTICHE TECNICHE / TECHNICAL DATA

		versione tanica interna / internal tank version
Pompa Ulka EP4FM / Ulka pump EP4FM	20 bar	20 bar
Serbatoio acqua / Water tank	2 litri / 2 liters	2 litri / 2 liters
Dimensioni: / Dimensions:	150 / 255 / 290	150 / 330 / 290
Assorbimento: / Power absorption:	450 watt / 450 watts	450 watt / 450 watts
Scambiatore: / Exchanger:	alluminio / aluminum	alluminio / aluminum
Termostato di lavoro: / Working thermostat:	98°C	98°C
Termostato di sicurezza: / Safety thermostat:	145°C	145°C